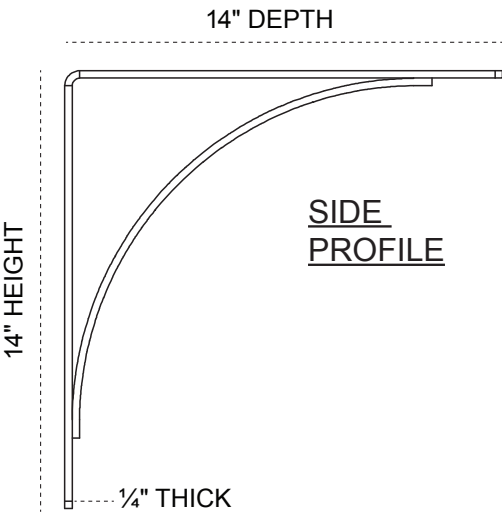
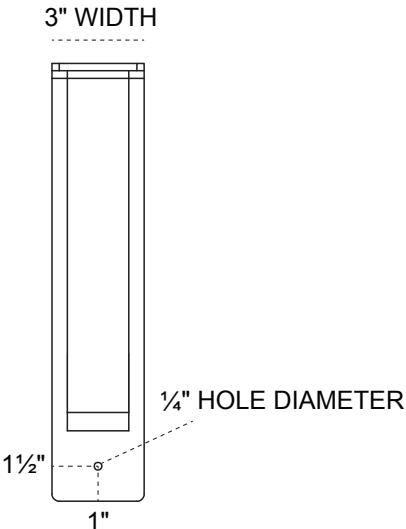


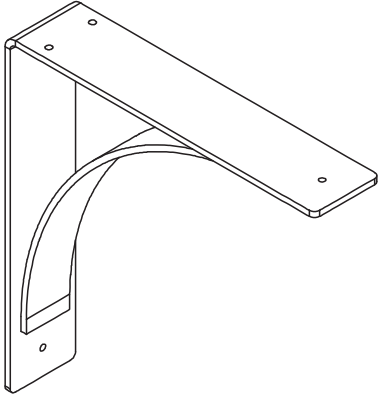
3-INCH W X 14-INCH D X 14-INCH H MORRIS BRACKET

FRONT PROFILE

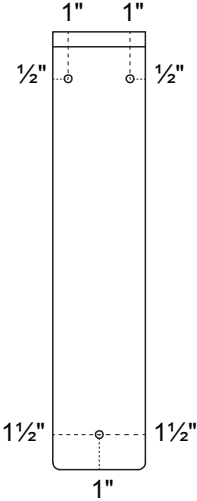


SIDE PROFILE

ISOMETRIC PROFILE



BACK



HEAVY-DUTY 1/4" THICK

AVAILABLE IN:
 STAINLESS STEEL
 ZINC PLATED STEEL
 POWDER COATED BLACK

BKTM03X14X14MOSS
BKTM03X14X14MOCRS
BKTM03X14X14MOPBL

P:866.607.0453 | F: 866.591.3143
 2300 W. Main St. | Clarksville, TX 75426
 sales@ekenamillwork.com | www.ekenamillwork.com



EKENA
 MILLWORK